


Adaptadores Hidráulicos

VE  **SI**
Guatemala

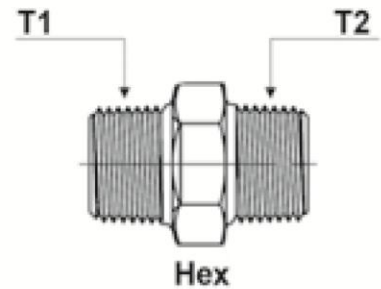


H24SA

ADAPTADOR NIPLE MACHO NPTF

Male NPTF with Hex

Código Code	T1	T2	P.T. W.P.
	in	in	PSI
H24SA-02	1/8" - 27	1/8" - 27	7.500
H24SA-04X02	1/4" - 18	1/8" - 27	7.500
H24SA-04	1/4" - 18	1/4" - 18	7.500
H24SA-06X04	3/8" - 18	1/4" - 18	7.500
H24SA-06	3/8" - 18	3/8" - 18	7.500
H24SA-08X04	1/2" - 14	1/4" - 18	7.500
H24SA-08X06	1/2" - 14	3/8" - 18	7.500
H24SA-08	1/2" - 14	1/2" - 14	7.500
H24SA-12X08	3/4" - 14	1/2" - 14	4.500
H24SA-12	3/4" - 14	3/4" - 14	4.500
H24SA-16X12	1-11 1/2"	3/4" - 14	4.500
H24SA-16	1-11 1/2"	1-11 1/2"	4.500
H24SA-20	1 1/4" - 11 1/2"	1 1/4" - 11 1/2"	4.500
H24SA-24	1 1/2" - 11 1/2"	1 1/2" - 11 1/2"	2.000

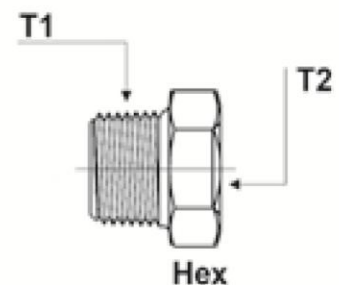


H24SB

ADAPTADOR BUSHING NPTF

NPTF Male to NPTF Female Bushing

Código Code	T1	T2	P.T. W.P.
	in	in	PSI
H24SB-04X02	1/4" - 18	1/8" - 27	6.000
H24SB-06X02	3/8" - 18	1/8" - 27	6.000
H24SB-06X04	3/8" - 18	1/4" - 18	6.000
H24SB-08X04	1/2" - 14	1/4" - 18	6.000
H24SB-08X06	1/2" - 14	3/8" - 18	6.000
H24SB-12X06	3/4" - 14	3/8" - 18	4.500
H24SB-12X08	3/4" - 14	1/2" - 14	4.500
H24SB-16X08	1-11 1/2"	1/2" - 14	4.500
H24SB-16X12	1-11 1/2"	3/4" - 14	4.500
H24SB-20X16	1 1/4" - 11 1/2"	1-11 1/2"	3.000
H24SB-24X20	1 1/2" - 11 1/2"	1 1/4" - 11 1/2"	2.000

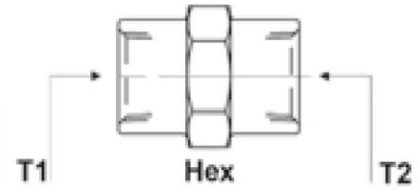


H24SJ

ADAPTADOR UNION HEMBRA NPTF

Female NPTF Union

Código Code	T1	T2	P.T. W.P.
	in	in	PSI
H24SJ-02	1/8" - 27	1/8" - 27	7.500
H24SJ-04	1/4" - 18	1/4" - 18	7.500
H24SJ-06	3/8" - 18	3/8" - 18	7.500
H24SJ-08	1/2" - 14	1/2" - 14	6.000
H24SJ-12X08	3/4" - 14	1/2" - 14	4.500
H24SJ-12	3/4" - 14	3/4" - 14	4.500
H24SJ-16	1-11 1/2"	1-11 1/2"	4.500
H24SJ-20	1 1/4" - 11 1/2"	1 1/4" - 11 1/2"	3.000

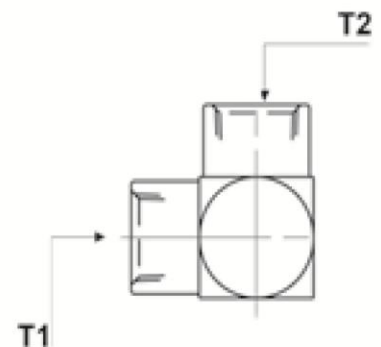


H25UJ

ADAPTADOR HEMBRA NPTF CODO A 90°

Female NPTF 90°

Código Code	T1	T2	P.T. W.P.
	in	in	PSI
H25UJ-02	1/8" - 27	1/8" - 27	7.500
H25UJ-04	1/4" - 18	1/4" - 18	6.000
H25UJ-06	3/8" - 18	3/8" - 18	6.000
H25UJ-08	1/2" - 14	1/2" - 14	6.000
H25UJ-12	3/4" - 14	3/4" - 14	4.500
H25UJ-16	1-11 1/2"	1-11 1/2"	4.500
H25UJ-20	1 1/4" - 11 1/2"	1 1/4" - 11 1/2"	3.000

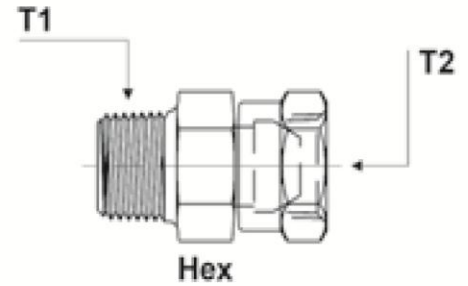


H60SA

ADAPTADOR MACHO NPTF HEMBRA GIRATORIA NPSM

Male NPTF to Female NPSM

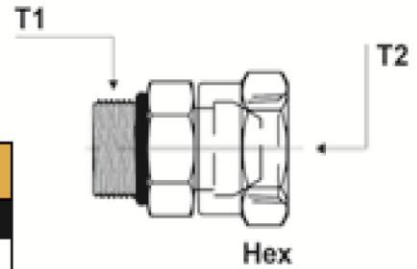
Código Code	T1 in	T2 in	P.T. W.P. PSI
H60SA-02X02	1/8" - 27	1/8" - 27	10.000
H60SA-02X04	1/8" - 27	1/4" - 18	10.000
H60SA-04X02	1/4" - 18	1/8" - 27	10.000
H60SA-04X04	1/4" - 18	1/4" - 18	10.000
H60SA-04X06	1/4" - 18	3/8" - 18	7.000
H60SA-06X04	3/8" - 18	1/4" - 18	7.000
H60SA-06X06	3/8" - 18	3/8" - 18	7.000
H60SA-06X08	3/8" - 18	1/2" - 14	7.000
H60SA-08X06	1/2" - 14	3/8" - 18	7.000
H60SA-08X08	1/2" - 14	1/2" - 14	7.000
H60SA-08X12	1/2" - 14	3/4" - 14	5.000
H60SA-12X08	3/4" - 14	1/2" - 14	5.000
H60SA-12X12	3/4" - 14	3/4" - 14	5.000
H60SA-12X16	3/4" - 14	1-11 1/2"	4.000
H60SA-16X12	1-11 1/2"	3/4" - 14	4.000
H60SA-16X16	1-11 1/2"	1-11 1/2"	4.000
H60SA-16X20	1-11 1/2"	1 1/4" - 11 1/2"	3.000
H60SA-20X16	1 1/4" - 11 1/2"	1-11 1/2"	3.000
H60SA-20X20	1 1/4" - 11 1/2"	1 1/4" - 11 1/2"	3.000
H60SA-20X24	1 1/4" - 11 1/2"	1 1/2" - 11 1/2"	2.500
H60SA-24X24	1 1/2" - 11 1/2"	1 1/2" - 11 1/2"	2.500



H60SB

ADAPTADOR MACHO SAE HEMBRA GIRATORIA NPSM

Male O.R.B. to Female NPSM



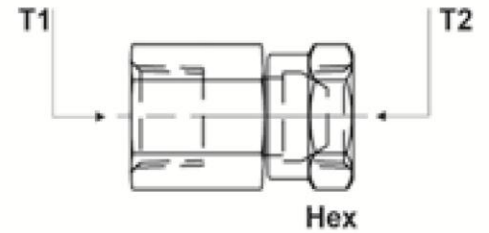
Código Code	T1	T2	P.T. W.P.
	in	in	PSI
H60SB-04X02	7/16" - 20	1/8" - 27	10.000
H60SB-04X04	7/16" - 20	1/4" - 18	10.000
H60SB-04X06	7/16" - 20	3/8" - 18	7.000
H60SB-05X04	1/2" - 20	1/4" - 18	7.000
H60SB-06X04	9/16" - 18	1/4" - 18	7.000
H60SB-06X06	9/16" - 18	3/8" - 18	7.000
H60SB-06X08	9/16" - 18	1/2" - 14	7.000
H60SB-08X06	3/4" - 16	3/8" - 18	7.000
H60SB-08X08	3/4" - 16	1/2" - 14	7.000
H60SB-08X12	3/4" - 16	3/4" - 14	5.500
H60SB-10X06	7/8" - 14	3/8" - 18	7.000
H60SB-10X08	7/8" - 14	1/2" - 14	7.000
H60SB-10X12	7/8" - 14	3/4" - 14	5.500
H60SB-12X08	1-1/16" - 12	1/2" - 14	5.500
H60SB-12X12	1-1/16" - 12	3/4" - 14	5.500
H60SB-14X12	1-3/16" - 12	3/4" - 14	5.500
H60SB-16X12	1-5/16" - 12	3/4" - 14	4.000
H60SB-16X16	1-5/16" - 12	1-11 1/2"	4.000
H60SB-20X20	1-5/8" - 12	1 1/4" - 11 1/2"	3.000
H60SB-24X24	1-7/8" - 12	1 1/2" - 11 1/2"	2.500

H60SG

ADAPTADOR HEMBRA NPTF HEMBRA GIRATORIA NPSM

Female NPTF to Female NPSM

Código Code	T1	T2	P.T. W.P.
	in	in	PSI
H60SG-02X02	1/8" - 27	1/8" - 27	6.000
H60SG-04X02	1/4" - 18	1/8" - 27	6.000
H60SG-04X04	1/4" - 18	1/4" - 18	6.000
H60SG-04X06	1/4" - 18	3/8" - 18	5.500
H60SG-06X04	3/8" - 18	1/4" - 18	5.500
H60SG-06X06	3/8" - 18	3/8" - 18	5.500
H60SG-06X08	3/8" - 18	1/2" - 14	4.000
H60SG-08X04	1/2" - 14	1/4" - 18	4.000
H60SG-08X06	1/2" - 14	3/8" - 18	4.000
H60SG-08X08	1/2" - 14	1/2" - 14	4.000
H60SG-12X08	3/4" - 14	1/2" - 14	3.500
H60SG-12X12	3/4" - 14	3/4" - 14	3.500
H60SG-12X16	3/4" - 14	1-11 1/2"	3.000
H60SG-16X12	1-11 1/2"	3/4" - 14	3.000
H60SG-16X16	1-11 1/2"	1-11 1/2"	3.000
H60SG-20X20	1 1/4" - 11 1/2"	1 1/4" - 11 1/2"	1.450
H60SG-24X24	1 1/2" - 11 1/2"	1 1/2" - 11 1/2"	1.250
H60SG-32X32	2" - 11 1/2"	2-11 1/2"	1.100



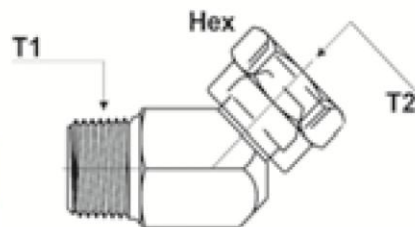
C

Adaptadores Hidráulicos
Hydraulic Adapters

H60TA

ADAPTADOR MACHO NPTF HEMBRA GIRATORIA NPSM CODO A 45°

Male NPTF to Female NPSM 45°



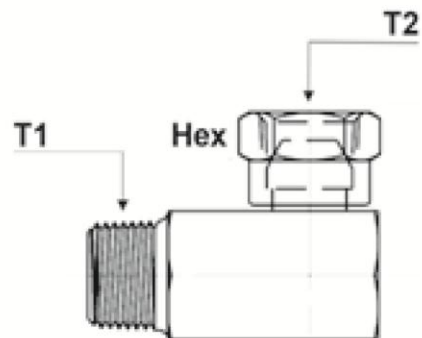
Código Code	T1 in	T2 in	P.T. W.P. PSI
H60TA-02X02	1/8" - 27	1/8" - 27	8.000
H60TA-04X04	1/4" - 18	1/4" - 18	7.500
H60TA-04X06	1/4" - 18	3/8" - 18	6.000
H60TA-06X04	3/8" - 18	1/4" - 18	6.000
H60TA-06X06	3/8" - 18	3/8" - 18	6.000
H60TA-06X08	3/8" - 18	1/2" - 14	4.500
H60TA-08X06	1/2" - 14	3/8" - 18	4.500
H60TA-08X08	1/2" - 14	1/2" - 14	4.500
H60TA-08X12	1/2" - 14	3/4" - 14	3.500
H60TA-12X08	3/4" - 14	1/2" - 14	3.500
H60TA-12X12	3/4" - 14	3/4" - 14	3.500
H60TA-12X16	3/4" - 14	1-11 1/2"	3.000
H60TA-16X12	1-11 1/2"	3/4" - 14	3.000
H60TA-16X16	1-11 1/2"	1-11 1/2"	3.000
H60TA-24X24	1 1/2" - 11 1/2"	1 1/2" - 11 1/2"	1.500

H60UA

ADAPTADOR MACHO NPTF HEMBRA GIRATORIA NPSM CODO A 90°

Male NPTF to Female NPSM 90°

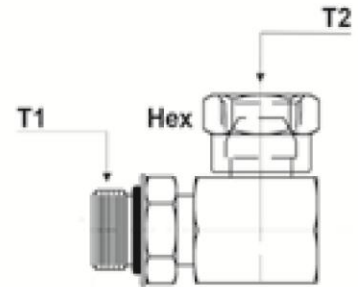
Código Code	T1	T2	P.T. W.P.
	in	in	PSI
H60UA-02X02	1/8" - 27	1/8" - 27	8.000
H60UA-04X04	1/4" - 18	1/4" - 18	6.000
H60UA-04X06	1/4" - 18	3/8" - 18	6.000
H60UA-06X04	3/8" - 18	1/4" - 18	6.000
H60UA-06X06	3/8" - 18	3/8" - 18	4.500
H60UA-06X08	3/8" - 18	1/2" - 14	4.500
H60UA-08X04	1/2" - 14	1/4" - 18	4.500
H60UA-08X06	1/2" - 14	3/8" - 18	4.500
H60UA-08X08	1/2" - 14	1/2" - 14	3.500
H60UA-08X12	1/2" - 14	3/4" - 14	3.500
H60UA-12X08	3/4" - 14	1/2" - 14	3.500
H60UA-12X12	3/4" - 14	3/4" - 14	3.000
H60UA-12X16	3/4" - 14	1-11 1/2"	3.000
H60UA-16X12	1-11 1/2"	3/4" - 14	3.000
H60UA-16X16	1-11 1/2"	1-11 1/2"	3.000
H60UA-16X20	1-11 1/2"	1 1/4" - 11 1/2"	3.000
H60UA-20X16	1 1/4" - 11 1/2"	1-11 1/2"	3.000
H60UA-20X20	1 1/4" - 11 1/2"	1 1/4" - 11 1/2"	3.000
H60UA-24X24	1 1/2" - 11 1/2"	1 1/2" - 11 1/2"	1.500



H60UB

ADAPTADOR MACHO CON O-RING HEMBRA GIRATORIA NPSM CODO A 90°

Adjustable Male O-Ring Boss to Female Swivel NPSM 90°



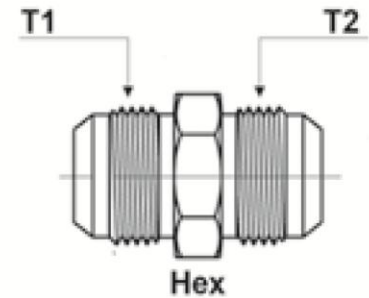
Código Code	T1	T2	P.T. W.P.
	in	in	PSI
H60UB-04X04	7/16" - 20	1/4" - 18	7.500
H60UB-06X04	9/16" - 18	1/4" - 18	6.000
H60UB-06X06	9/16" - 18	3/8" - 18	6.000
H60UB-06X08	9/16" - 18	1/2" - 14	4.500
H60UB-08X04	3/4" - 16	1/4" - 18	4.500
H60UB-08X06	3/4" - 16	3/8" - 18	4.500
H60UB-08X08	3/4" - 16	1/2" - 14	4.500
H60UB-08X12	3/4" - 16	3/4" - 14	3.500
H60UB-10X06	7/8" - 14	3/8" - 18	4.500
H60UB-10X08	7/8" - 14	1/2" - 14	3.500
H60UB-10X12	7/8" - 14	3/4" - 14	4.000
H60UB-12X08	1-1/16" - 12	1/2" - 14	3.500
H60UB-12X12	1-1/16" - 12	3/4" - 14	3.500
H60UB-12X16	1-1/16" - 12	1-11 1/2"	3.000
H60UB-16X16	1-5/16" - 12	1-11 1/2"	3.000

H842-FS

ADAPTADOR UNIÓN FLARED RECTO ABOCINADO 37°

Male 37° to Male 37°

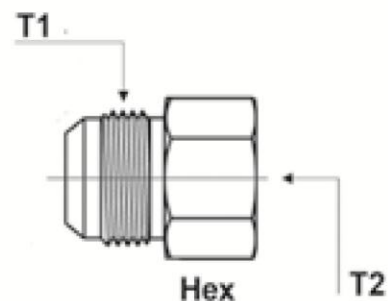
Código Code	T1	T2	P.T. W.P.
	in	in	PSI
H842-FS-02X02	5/16" - 24	5/16" - 24	9.500
H842-FS-04X04	7/16" - 20	7/16" - 20	9.500
H842-FS-05X04	1/2" - 20	7/16" - 20	9.500
H842-FS-05X05	1/2" - 20	1/2" - 20	9.500
H842-FS-06X04	9/16" - 18	7/16" - 20	7.500
H842-FS-06X05	9/16" - 18	1/2" - 20	7.500
H842-FS-06X06	9/16" - 18	9/16" - 18	7.500
H842-FS-08X06	3/4" - 16	9/16" - 18	7.000
H842-FS-08X08	3/4" - 16	3/4" - 16	7.000
H842-FS-10X08	7/8" - 14	3/4" - 16	7.000
H842-FS-10X10	7/8" - 14	7/8" - 14	7.000
H842-FS-12X08	1-1/16" - 12	3/4" - 16	4.500
H842-FS-12X10	1-1/16" - 12	7/8" - 14	4.500
H842-FS-12X12	1-1/16" - 12	1-1/16" - 12	4.500
H842-FS-14X14	1-3/16" - 12	1-3/16" - 12	4.500
H842-FS-16X16	1-5/16" - 12	1-5/16" - 12	3.500
H842-FS-20X16	1-5/8" - 12	1-5/16" - 12	3.000
H842-FS-20X20	1-5/8" - 12	1-5/8" - 12	3.000
H842-FS-24X24	1-7/8" - 12	1-7/8" - 12	2.500



H846-FS

ADAPTADOR MACHO FLARED 37° HEMBRA NPTF

Male 37° to Female NPTF

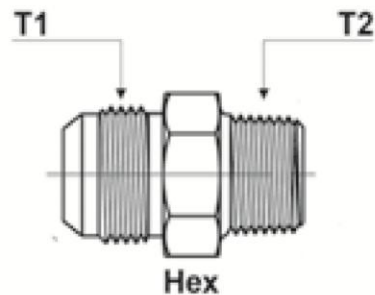


Código Code	T1 in	T2 in	P.T. W.P. PSI
H846-FS-04X02	7/16" - 20	1/8" - 27	5.600
H846-FS-04X04	7/16" - 20	1/4" - 18	5.600
H846-FS-05X02	1/2" - 20	1/8" - 27	5.000
H846-FS-05X04	1/2" - 20	1/4" - 18	5.000
H846-FS-06X04	9/16" - 18	1/4" - 18	4.500
H846-FS-06X06	9/16" - 18	3/8" - 18	4.500
H846-FS-08X06	3/4" - 16	3/8" - 18	4.500
H846-FS-08X08	3/4" - 16	1/2" - 14	4.500
H846-FS-10X08	7/8" - 14	1/2" - 14	4.500
H846-FS-12X08	1-1/16" - 12	1/2" - 14	4.000
H846-FS-12X12	1-1/16" - 12	3/4" - 14	4.000
H846-FS-16X16	1-5/16" - 12	1-11 1/2"	3.000
H846-FS-20X20	1-5/8" - 12	1-1/4" - 11 1/2"	2.500
H846-FS-24X24	1-7/8" - 12	1" - 1/2"	1.500

H848-FS

ADAPTADOR MACHO FLARED 37° A MACHO NPTF

Male 37° to Male NPTF

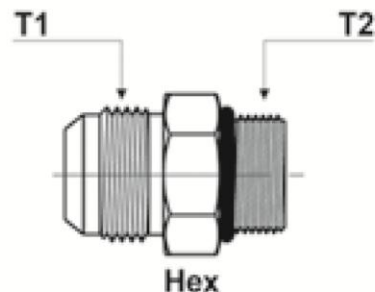


Código Code	T1	T2	P.T. W.P.
	in	in	PSI
H848-FS-02X02	5/16" - 24	1/8" - 27	9.500
H848-FS-04X02	7/16" - 20	1/8" - 27	9.500
H848-FS-04X04	7/16" - 20	1/4" - 18	9.500
H848-FS-04X04 FLRD	7/16" - 20	1/4" - 18	9.500
H848-FS-04X06	7/16" - 20	3/8" - 18	9.500
H848-FS-05X02	1/2" - 20	1/8" - 27	9.500
H848-FS-05X04	1/2" - 20	1/4" - 18	9.500
H848-FS-05X06	1/2" - 20	3/8" - 18	9.500
H848-FS-06X02	9/16" - 18	1/8" - 27	7.500
H848-FS-06X04	9/16" - 18	1/4" - 18	7.500
H848-FS-06X06	9/16" - 18	3/8" - 18	7.500
H848-FS-06X06 FLRD	9/16" - 18	3/8" - 18	7.500
H848-FS-06X08	9/16" - 18	1/2" - 14	7.500
H848-FS-08X04	3/4" - 16	1/4" - 18	7.000
H848-FS-08X06	3/4" - 16	3/8" - 18	7.000
H848-FS-08X08	3/4" - 16	1/2" - 14	7.000
H848-FS-08X08 FLRD	3/4" - 16	1/2" - 14	7.000
H848-FS-08X12	3/4" - 16	3/4" - 14	7.000
H848-FS-10X06	7/8" - 14	3/8" - 18	7.000
H848-FS-10X08	7/8" - 14	1/2" - 14	7.000
H848-FS-10X12	7/8" - 14	3/4" - 14	7.000
H848-FS-12X08	1-1/16" - 12	1/2" - 14	4.500
H848-FS-12X12	1-1/16" - 12	3/4" - 14	4.500
H848-FS-12X12 FLRD	1-1/16" - 12	3/4" - 14	4.500
H848-FS-12X16	1-1/16" - 12	1-11 1/2"	4.500
H848-FS-14X12	1-3/16" - 12	3/4" - 14	4.500
H848-FS-16X12	1-5/16" - 12	3/4" - 14	3.500
H848-FS-16X16	1-5/16" - 12	1-11 1/2"	3.500
H848-FS-16X16 FLRD	1-5/16" - 12	1-11 1/2"	3.500
H848-FS-16X20	1-5/16" - 12	1-1/4" - 11 1/2"	3.500
H848-FS-20X16	1-5/8" - 12	1-11 1/2"	3.000
H848-FS-20X20	1-5/8" - 12	1-1/4" - 11 1/2"	3.000
H848-FS-20X24	1-5/8" - 12	1-1/2" - 11 1/2"	3.000
H848-FS-24X20	1-7/8" - 12	1-1/4" - 11 1/2"	3.000
H848-FS-24X24	1-7/8" - 12	1-1/2" - 11 1/2"	3.000
H848-FS-32X32	2-1/2" - 12	2" - 11 1/2"	2.000

H848-FSO

ADAPTADOR MACHO FLARED 37° MACHO CON O-RING

Male 37° to Male O-Ring Boss

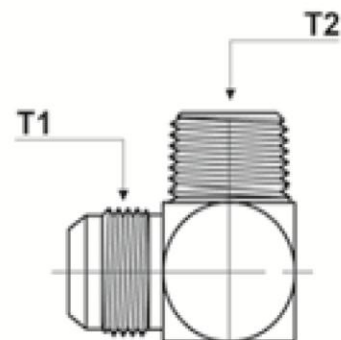


Código Code	T1	T2	P.T. W.P.
	in	in	PSI
H848-FSO-04X04	7/16" - 20	7/16" - 20	5.000
H848-FSO-04X05	7/16" - 20	1/2" - 20	5.000
H848-FSO-04X06	7/16" - 20	9/16" - 18	5.000
H848-FSO-05X04	1/2" - 20	7/16" - 20	5.000
H848-FSO-05X05	1/2" - 20	1/2" - 20	5.000
H848-FSO-06X04	9/16" - 18	7/16" - 20	5.000
H848-FSO-06X06	9/16" - 18	9/16" - 18	5.000
H848-FSO-06X08	9/16" - 18	3/4" - 16	5.000
H848-FSO-08X06	3/4" - 16	9/16" - 18	5.000
H848-FSO-08X08	3/4" - 16	3/4" - 16	5.000
H848-FSO-08X10	3/4" - 16	7/8" - 14	5.000
H848-FSO-08X12	3/4" - 16	1-1/16" - 12	4.500
H848-FSO-10X08	7/8" - 14	3/4" - 16	5.000
H848-FSO-10X10	7/8" - 14	7/8" - 14	5.000
H848-FSO-10X12	7/8" - 14	1-1/16" - 12	4.500
H848-FSO-10X14	7/8" - 14	1-3/16" - 12	4.000
H848-FSO-12X08	1-1/16" - 12	3/4" - 16	5.000
H848-FSO-12X10	1-1/16" - 12	7/8" - 14	5.000
H848-FSO-12X12	1-1/16" - 12	1-1/16" - 12	4.500
H848-FSO-12X16	1-1/16" - 12	1-5/16" - 12	4.500
H848-FSO-14X10	1-3/16" - 12	7/8" - 14	4.000
H848-FSO-14X14	1-3/16" - 12	1-3/16" - 12	4.000
H848-FSO-16X12	1-5/16" - 12	1-1/16" - 12	3.500
H848-FSO-16X16	1-5/16" - 12	1-5/16" - 12	3.500
H848-FSO-16X20	1-5/16" - 12	1-5/8" - 12	3.500
H848-FSO-20X16	1-5/8" - 12	1-5/16" - 12	3.000
H848-FSO-20X20	1-5/8" - 12	1-5/8" - 12	3.000
H848-FSO-24X20	1-7/8" - 12	2-1/2" - 12	2.500
H848-FSO-24X24	1-7/8" - 12	1-7/8" - 12	2.500
H848-FSO-32X32	2-1/2" - 12	2" - 11 1/2"	2.000

H849-FS

ADAPTADOR MACHO FLARED 37° MACHO NPTF CODO A 90°

Male 37° to Male NPTF 90°

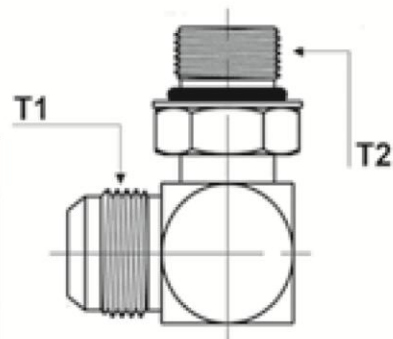


Código Code	T1	T2	P.T. W.P.
	in	in	PSI
H849-FS-04X02	7/16" - 20	1/8" - 27	9.500
H849-FS-04X04	7/16" - 20	1/4" - 18	9.500
H849-FS-04X06	7/16" - 20	3/8" - 18	9.500
H849-FS-04X08	7/16" - 20	1/2" - 14	9.500
H849-FS-05X02	1/2" - 20	1/8" - 27	9.500
H849-FS-05X04	1/2" - 20	1/4" - 18	9.500
H849-FS-05X06	1/2" - 20	3/8" - 18	9.500
H849-FS-06X02	9/16" - 18	1/8" - 27	7.500
H849-FS-06X04	9/16" - 18	1/4" - 18	7.500
H849-FS-06X06	9/16" - 18	3/8" - 18	7.500
H849-FS-06X08	9/16" - 18	1/2" - 14	7.500
H849-FS-08X04	3/4" - 16	1/4" - 18	7.000
H849-FS-08X06	3/4" - 16	3/8" - 18	7.000
H849-FS-08X08	3/4" - 16	1/2" - 14	7.000
H849-FS-08X12	3/4" - 16	3/4" - 14	7.000
H849-FS-10X06	7/8" - 14	3/8" - 18	7.000
H849-FS-10X08	7/8" - 14	1/2" - 14	7.000
H849-FS-10X12	7/8" - 14	3/4" - 14	7.000
H849-FS-12X08	1-1/16" - 12	1/2" - 14	4.500
H849-FS-12X12	1-1/16" - 12	3/4" - 14	4.500
H849-FS-12X16	1-1/16" - 12	1-11 1/2"	4.500
H849-FS-16X12	1-5/16" - 12	3/4" - 14	3.500
H849-FS-16X16	1-5/16" - 12	1-11 1/2"	3.500
H849-FS-16X20	1-5/16" - 12	1-1/4" - 11 1/2"	3.500
H849-FS-20X20	1-5/8" - 12	1-1/4" - 11 1/2"	3.000
H849-FS-24X20	1-7/8" - 12	1-1/4" - 11 1/2"	2.500
H849-FS-24X24	1-7/8" - 12	1-1/2" - 11 1/2"	2.500
H849-FS-32X32	2-1/2" - 12	2" - 11 1/2"	2.000

H849-FSO

ADAPTADOR MACHO FLARED 37° MACHO CON O-RING CODO A 90°

Male 37° to Adjustable Male O-Ring Boss 90°

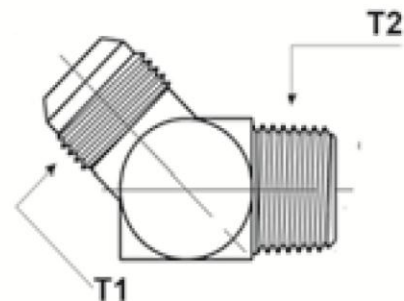


Código Code	T1	T2	P.T. W.P.
	in	in	PSI
H849-FSO-03X03	3/8" - 24	3/8" - 24	5.000
H849-FSO-04X04	7/16" - 20	7/16" - 20	5.000
H849-FSO-04X06	7/16" - 20	9/16" - 18	5.000
H849-FSO-05X05	1/2" - 20	1/2" - 20	5.000
H849-FSO-05X06	1/2" - 20	9/16" - 18	5.000
H849-FSO-06X04	9/16" - 18	7/16" - 20	5.000
H849-FSO-06X05	9/16" - 18	1/2" - 20	5.000
H849-FSO-06X06	9/16" - 18	9/16" - 18	5.000
H849-FSO-06X08	9/16" - 18	3/4" - 16	5.000
H849-FSO-06X10	9/16" - 18	7/8" - 14	5.000
H849-FSO-08X06	3/4" - 16	9/16" - 18	5.000
H849-FSO-08X08	3/4" - 16	3/4" - 16	5.000
H849-FSO-08X10	3/4" - 16	7/8" - 14	5.000
H849-FSO-10X08	7/8" - 14	3/4" - 16	5.000
H849-FSO-10X10	7/8" - 14	7/8" - 14	5.000
H849-FSO-10X12	7/8" - 14	1-1/16" - 12	5.000
H849-FSO-12X10	1-1/16" - 12	7/8" - 14	4.500
H849-FSO-12X12	1-1/16" - 12	1-1/16" - 12	4.500
H849-FSO-14X14	1-3/16" - 12	1-3/16" - 12	4.000
H849-FSO-16X12	1-5/16" - 12	1-1/16" - 12	3.500
H849-FSO-16X16	1-5/16" - 12	1-5/16" - 12	3.500
H849-FSO-16X20	1-5/16" - 12	1-5/8" - 12	3.500
H849-FSO-20X20	1-5/8" - 12	1-5/8" - 12	3.000
H849-FSO-24X24	1-7/8" - 12	1-7/8" - 12	2.500

H854-FS

ADAPTADOR MACHO FLARED 37° MACHO NPTF CODO A 45°

Male 37° to Male NPTF 45°



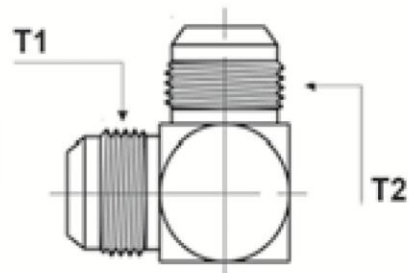
Código Code	T1	T2	P.T. W.P.
	in	in	PSI
H854-FS-04X02	7/16" - 20	1/8" - 27	9.500
H854-FS-04X04	7/16" - 20	1/4" - 18	9.500
H854-FS-05X02	1/2" - 20	1/8" - 27	9.500
H854-FS-05X04	1/2" - 20	1/4" - 18	9.500
H854-FS-06X04	9/16" - 18	1/4" - 18	7.500
H854-FS-06X06	9/16" - 18	3/8" - 18	7.500
H854-FS-06X08	9/16" - 18	1/2" - 14	7.500
H854-FS-08X04	3/4" - 16	1/4" - 18	7.000
H854-FS-08X06	3/4" - 16	3/8" - 18	7.000
H854-FS-08X08	3/4" - 16	1/2" - 14	7.000
H854-FS-08X12	3/4" - 16	3/4" - 14	7.000
H854-FS-10X06	7/8" - 14	3/8" - 18	7.000
H854-FS-10X08	7/8" - 14	1/2" - 14	7.000
H854-FS-10X12	7/8" - 14	3/4" - 14	7.000
H854-FS-12X08	1-1/16" - 12	1/2" - 14	4.500
H854-FS-12X12	1-1/16" - 12	3/4" - 14	4.500
H854-FS-16X12	1-5/16" - 12	3/4" - 14	3.500
H854-FS-16X16	1-5/16" - 12	1-11 1/2"	3.500
H854-FS-20X20	1-5/8" - 12	1-1/4" - 11 1/2"	3.000

H855-FS

ADAPTADOR CODO 90° MACHO FLARED 37° / MACHO FLARED 37°

Male 37° to Male 37°

Código Code	T1 in	T2 in	P.T. W.P. PSI
H855-FS-05	1/2" - 20	1/2" - 20	9.500
H855-FS-10	7/8" - 14	7/8" - 14	7.000
H855-FS-12	1-1/16" - 12	1-1/16" - 12	4.500

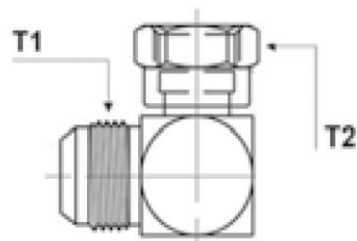


H879-FS

ADAPTADOR MACHO-HEMBRA FLARED CODO A 90°

Male 37° to Swivel Female 37° - 90°

Código Code	T1 in	T2 in	P.T. W.P. PSI
H879-FS-04	7/16" - 20	7/16" - 20	8.500
H879-FS-05	1/2" - 20	1/2" - 20	7.500
H879-FS-06	9/16" - 18	9/16" - 18	5.500
H879-FS-08	3/4" - 16	3/4" - 16	5.500
H879-FS-10	7/8" - 14	7/8" - 14	4.500
H879-FS-12	1-1/16" - 12	1-1/16" - 12	4.000
H879-FS-14	1-3/16" - 12	1-3/16" - 12	3.500
H879-FS-16	1-5/16" - 12	1-5/16" - 12	3.500
H879-FS-20	1-5/8" - 12	1-5/8" - 12	2.500
H879-FS-24	1-7/8" - 12	1-7/8" - 12	2.000

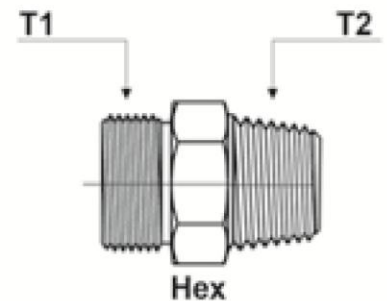


H848-TT

ADAPTADOR MACHO ASIENTO PLANO ORFS / MACHO NPTF

Male ORFS to Male NPTF

Código Code	T1 in	T2 in	P.T. W.P. PSI
H848-TT-04X04	9/16" - 18	1/4"	9.500
H848-TT-06X06	11/16" - 16	3/8"	7.500
H848-TT-08X08	13/16" - 16	1/2"	7.000
H848-TT-12X12	1-3/16" - 12	3/4"	4.500
H848-TT-16X16	1-7/16" - 12	1"	3.500

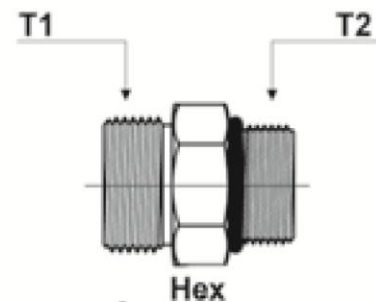


H848-TTO

ADAPTADOR MACHO ASIENTO PLANO ORFS / MACHO CON O-RING

Male ORFS to Male O-Ring Boss

Código Code	T1 in	T2 in	P.T. W.P. PSI
H848-TTO-04X04	9/16" - 18	7/16" - 20	5.000
H848-TTO-06X06	11/16" - 16	9/16" - 18	5.000
H848-TTO-08X08	13/16" - 16	3/4" - 16	5.000
H848-TTO-12X12	1-3/16" - 12	1-1/16" - 12	4.500
H848-TTO-16X16	1-7/16" - 12	1-5/16" - 12	3.500



C

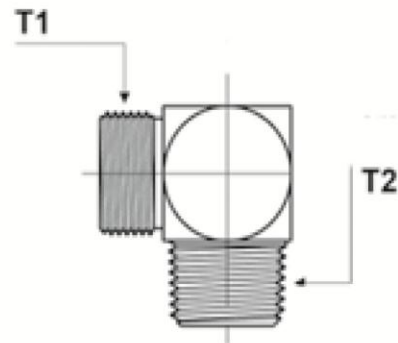
Adaptadores Hidráulicos
Hydraulic Adapters

H849-TT

ADAPTADOR MACHO ASIENTO PLANO ORFS / MACHO NPTF CODO A 90°

Male ORFS to Male NPTF 90°

Código Code	T1 in	T2 in	P.T. W.P. PSI
H849-TT-04X04	9/16" - 18	1/4"	9.500
H849-TT-06X06	11/16" - 16	3/8"	7.500
H849-TT-08X08	13/16" - 16	1/2"	7.000
H849-TT-12X12	1-3/16" - 12	3/4"	4.500
H849-TT-16X16	1-7/16" - 12	1"	3.500

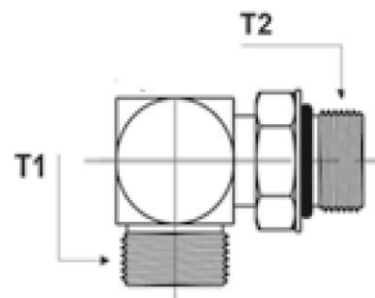


H849-TTO

ADAPTADOR MACHO ASIENTO PLANO ORFS / MACHO CON O-RING CODO A 90°

Male ORFS to Adjustable Male O-Ring Boss 90°

Código Code	T1 in	T2 in	P.T. W.P. PSI
H849-TTO-04X04	9/16" - 18	7/16" - 20	5.000
H849-TTO-06X06	11/16" - 16	9/16" - 18	5.000
H849-TTO-08X08	13/16" - 16	3/4" - 16	5.000
H849-TTO-08X10	13/16" - 16	7/8" - 14	5.000
H849-TTO-12X12	1-3/16" - 12	1-1/16" - 12	4.500
H849-TTO-16X16	1-7/16" - 12	1-5/16" - 12	3.500



www.veysi.com.gt
ventas@veysi.com.gt
ventasveysi@gmail.com

PBX: 502 7889 3484

Móvil: 502 5634 3880 - 502 5531 0088

VEYSI

HORARIO DE ATENCIÓN

Luneas a Viernes de 7:30 am a 6:00 pm

Sábados de 7:30 am a 4:00 pm

**Domingos, días y horarios no habiles se cubren
emergencias**